

TEFC - LOW VOLTAGE

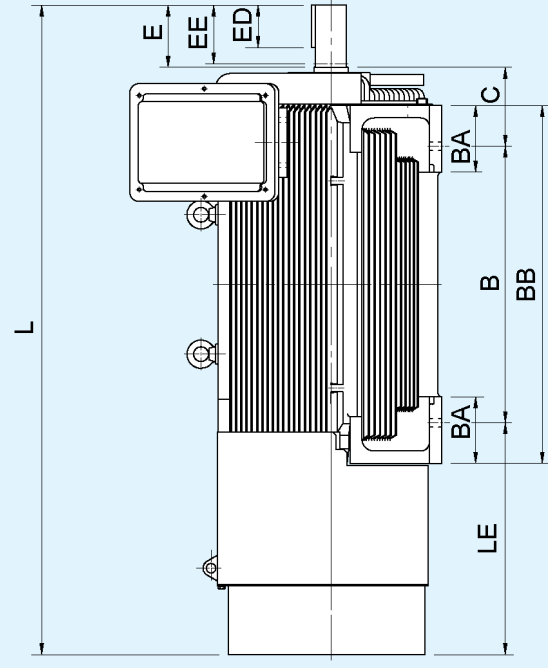


FIG.1

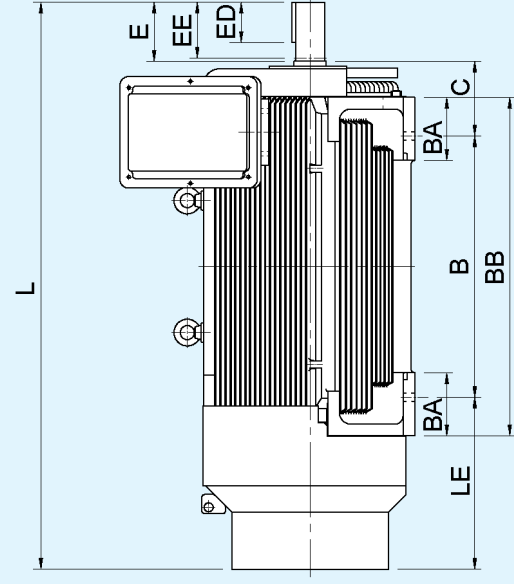
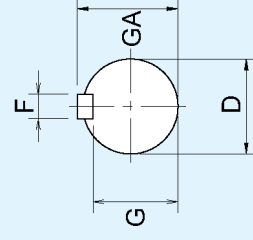
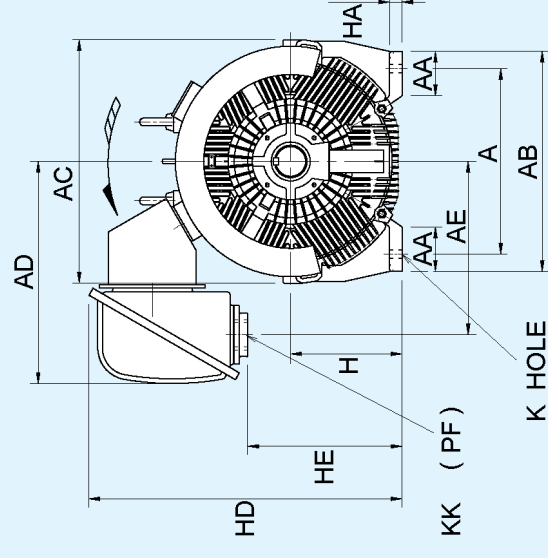
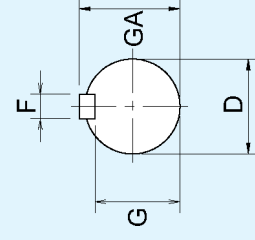
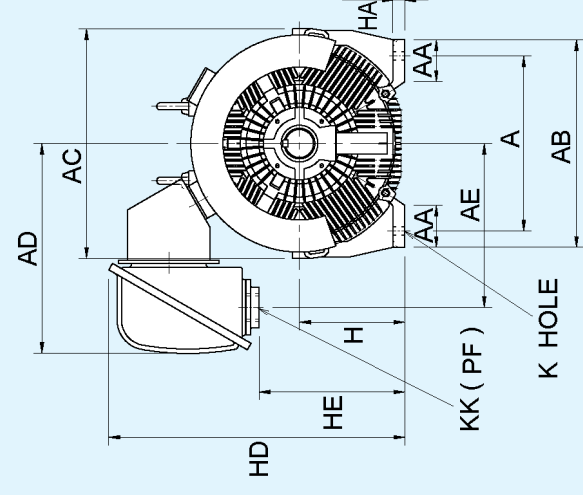


FIG.2



Frame No.	No. of Poles	Fig.	Mounting										AE	AD	AC	H	HA	HD
			A	AA	AB	B	BA	BB	C	K								
315A	2P	1	508	150	650	560	180	730	216	28	666	730	315	45	874			
315A	4P.6P.8P	2	508	150	650	560	180	730	216	28	666	730	315	45	874			
315C	2P	1	508	150	650	710	180	880	216	28	666	730	315	45	874			
315C	4P.6P.8P	2	508	150	650	710	180	880	216	28	666	730	315	45	874			
315D	2P	1	508	150	650	910	180	1080	216	28	666	730	315	45	874			
315D	4P.6P.8P	2	508	150	650	910	180	1080	216	28	666	730	315	45	874			
355A	2P	1	610	150	750	710	210	930	254	28	762	810	355	45	997			
355A	4P.6P.8P	2	610	150	750	710	210	930	254	28	762	810	355	45	997			
355C	4P.6P.8P	2	610	150	750	900	210	1120	254	28	762	810	355	45	997			
400A	4P.6P.8P	2	686	150	810	800	245	1060	280	35	774	860	400	40	1062			
400C	2P	1	686	150	810	1000	245	1260	280	35	774	860	400	40	1062			
400C	4P.6P.8P	2	686	150	810	1000	245	1260	280	35	774	860	400	40	1062			
450A	2P	1	750	180	890	900	270	1230	315	35	807	986	450	50	1170			
450A	4P	3	750	180	890	900	270	1230	315	35	807	986	450	50	1170			
450A	6P.8P	2	750	180	890	900	270	1230	315	35	807	986	450	50	1170			

Dimensions in mm

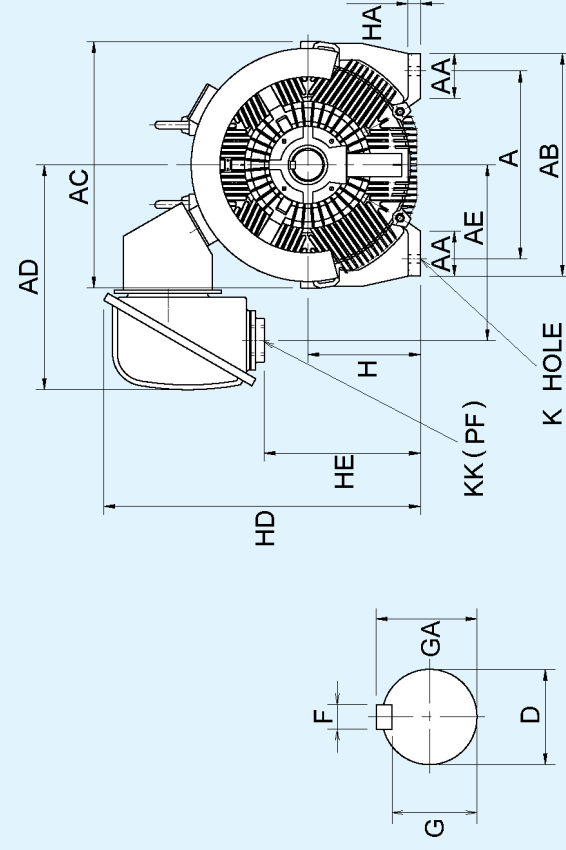
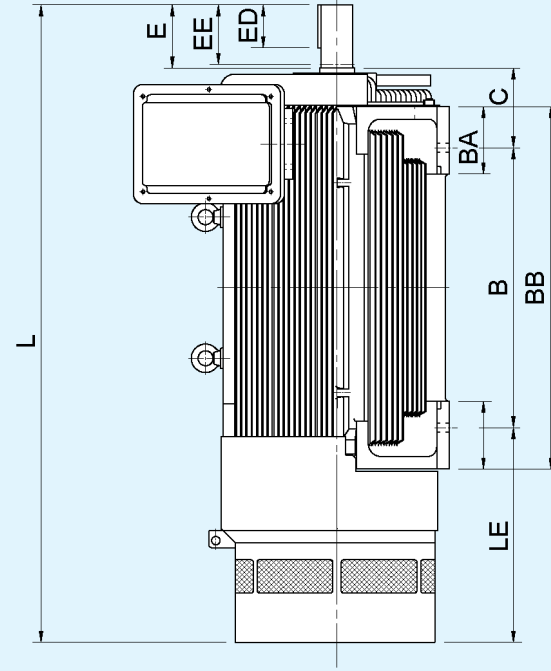
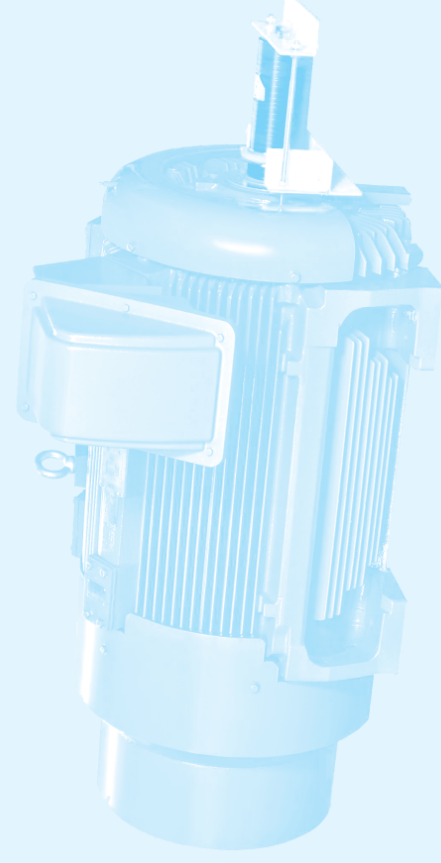


FIG.3

NOTES

1. Tolerance of shaf extension diameter $D = m6$
2. Tolerance of shaft center height $H = +0, -1$
3. For direct flexible coupling
4. Usable shaft length: EE



HE	KK	L	LE	Shaft Extension				Key Size			Bearing		Frame No.
				D	E	EE	G	ED	F	GA	DRIVE END	OPP DRIVE END	
469	4"	1601	685	70	140	134	62.5	110	20	74.5	6315C3	6315C3	315A
469	4"	1496	550	95	170	157	86	140	25	100	6320	6320	315A
469	4"	1751	685	70	140	134	62.5	110	20	74.5	6315C3	6315C3	315C
469	4"	1646	550	95	170	157	86	140	25	100	6320	6320	315C
469	4"	1951	685	70	140	134	62.5	110	20	74.5	6315C3	6315C3	315D
469	4"	1846	550	95	170	157	86	140	25	100	6320	6320	315D
504	5"	1854	750	70	140	134	62.5	110	25	74.5	6315C3	6315C3	355A
504	5"	1749	615	95	170	157	86	140	25	100	6322	6320	355A
504	5"	1939	615	95	170	157	86	140	25	100	6322	6320	355C
569	5"	1925	635	110	210	197	100	160	28	116	6324	6320	400A
569	5"	2200	780	70	140	134	62.5	110	20	74.5	6315C3	6315C3	400C
569	5"	2125	635	110	210	197	100	160	28	116	6324	6320	400C
677	5"	2240	885	70	140	134	62.5	110	20	74.5	6315C3	6315C3	450A
677	5"	2205	780	110	210	197	100	160	28	116	6324	6322	450A
677	5"	2135	710	110	210	197	100	160	28	116	6324	6322	450A